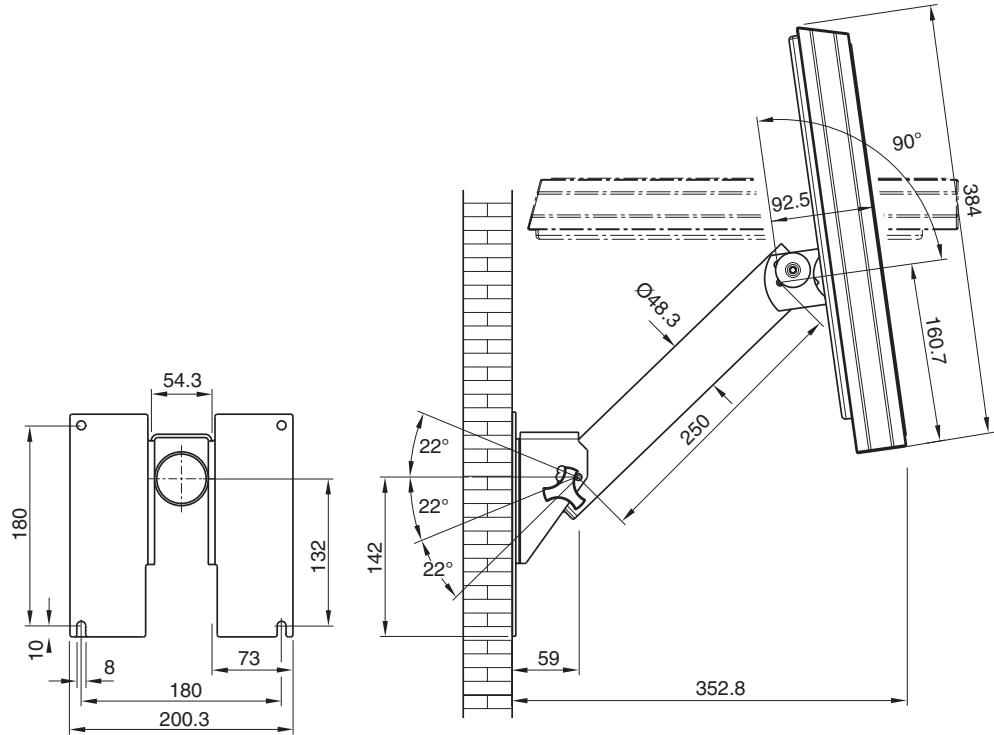


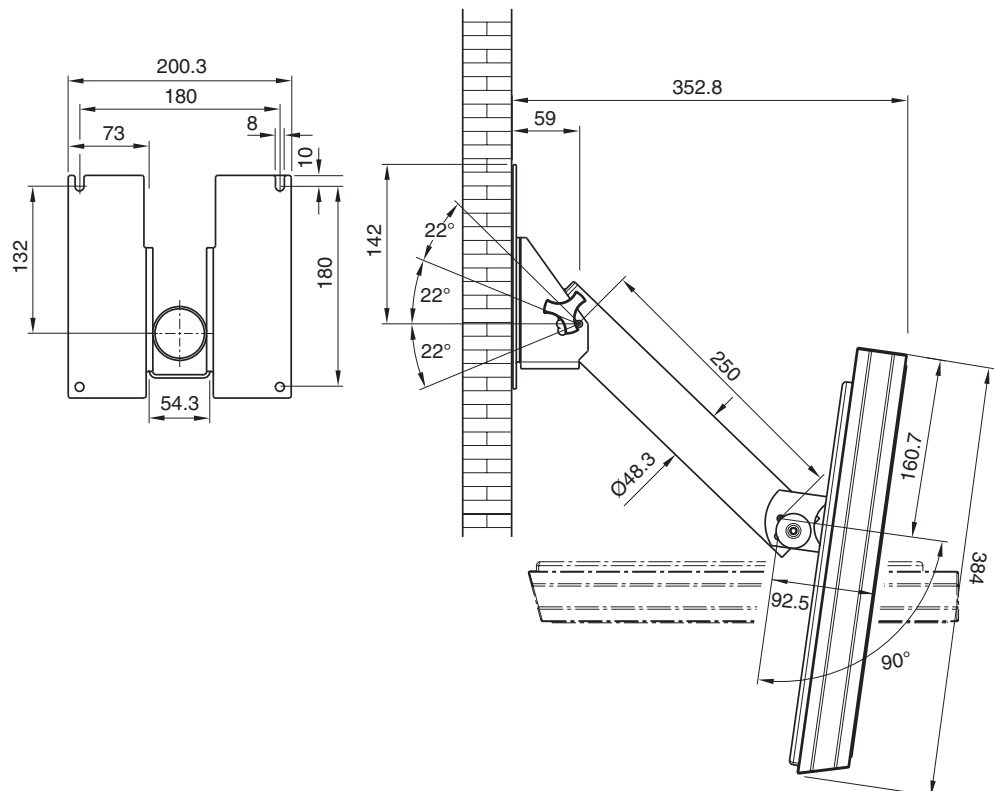
6.3.2 Wall swivel head for HMI 17"

Vertical swivel range, variable operating height

Deep mounting



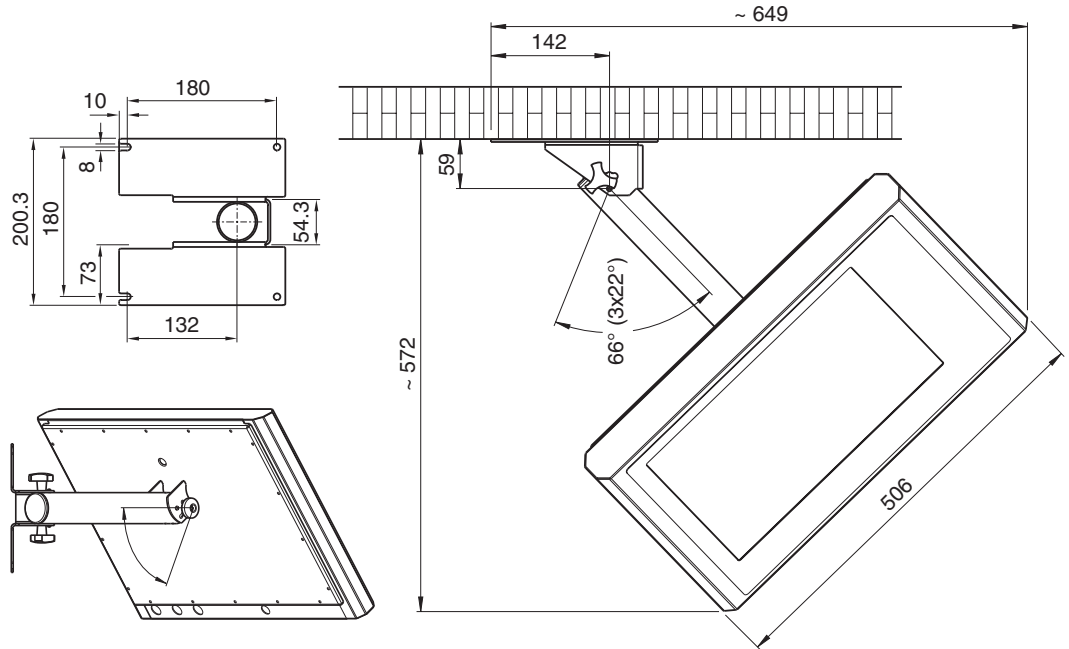
**High mounting
cover rotated by 180°**



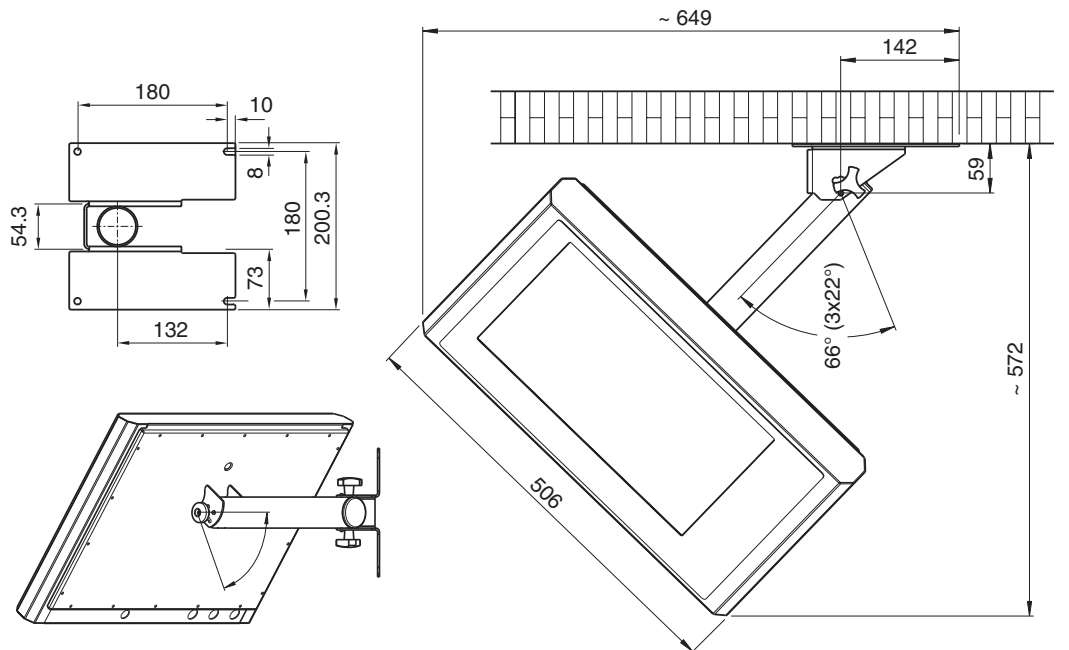
Dimensions in mm

Horizontal swivel range, fixed operating height

**Main swivel direction to the right,
cover rotated by 180°**



**Main swivel direction to the left,
cover rotated by 180°**



Dimensions in mm