

## Weigh modules

### This document

This document is a quick start guide. Additionally, the following documents are available:

- Data sheet
- Installation Manual
- Reference Manual  
MT-SICS Command Set
- Reference Manual for  
Standard Automation Interface
- APW Handbook

### Environment & technical specification




ⓘ Compensated	10 °C to 30 °C
ⓘ Operating	5 °C to 40 °C
💧 Humidity	20 % to 80 %, non-condensing
	Overvoltage cat. II
	Pollution cat. 2
	Means of protection III
⚡ Height above sea level	max. 4000 m
⚡ Power supply	PoE IEEE 802.3af

### Further information




[www.mt.com/ind-spe-documents](http://www.mt.com/ind-spe-documents)

### Required tools

-  T6 / 0.4 Nm, T10 / 1.3 Nm, T25 / 1.8 Nm
-  1.5 mm
-  Wrench size 21

### Maintenance

 The device cannot be repaired. For further service contact **METTLER TOLEDO**

### Disposal

No disposal into domestic waste.



European Directive 2012/19/EU on Waste Electrical and Electronic Equipment (WEEE)

### Main accessories



30840642  
Weighing pan, snap-in



30840643  
Adapter weighing pan, snap-in, screw, threaded holes

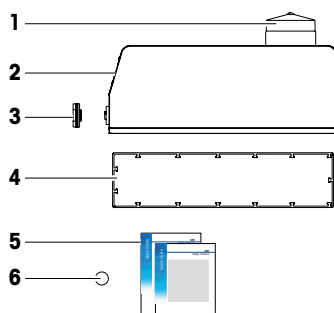


30840644  
Long base plate



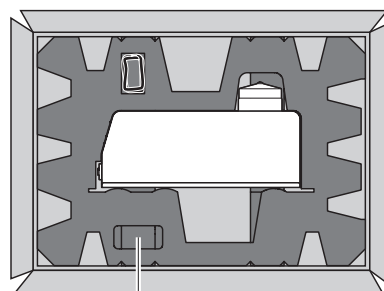
30827014  
Washdown module

### 1 Scope of delivery



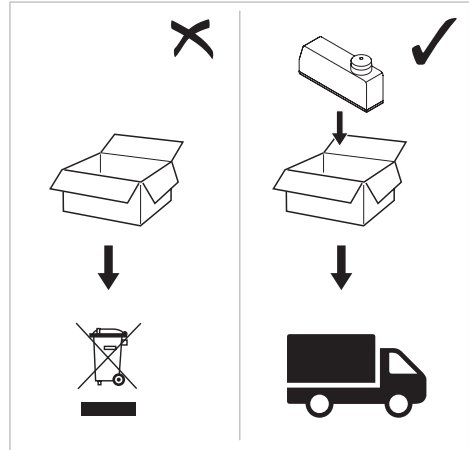
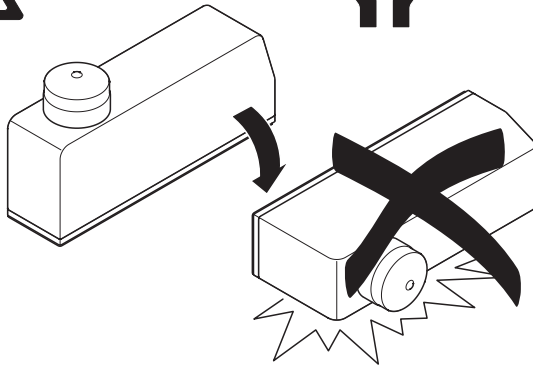
- 1 Protection cover
- 2 Weigh module
- 3 Cover M12
- 4 Gasket
- 5 Safety information, Quick Guide, DoC, Production certificate, China RoHS Confirmation
- 6 Magnet

### Packing / Transport

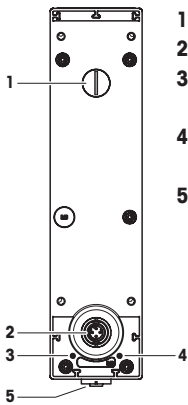


Cutout for weighing pan accessory

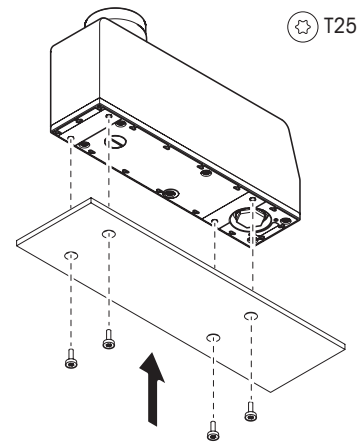
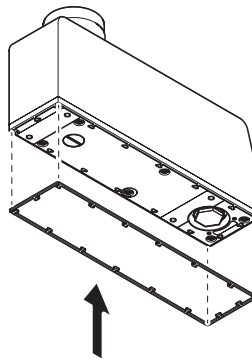
## 2 Handling



## 3 Mounting



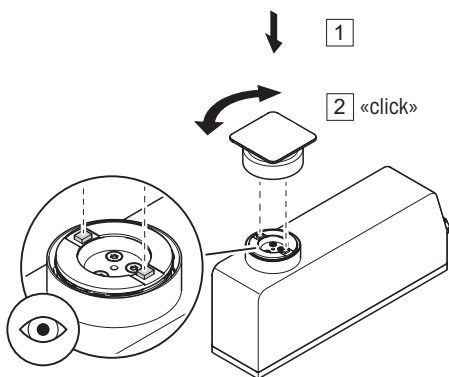
- 1 Below weighing interface
- 2 M12 PoE1
- 3 DA: Deauration for washdown accessory
- 4 AI: Air connector for washdown accessory
- 5 M12 PoE2



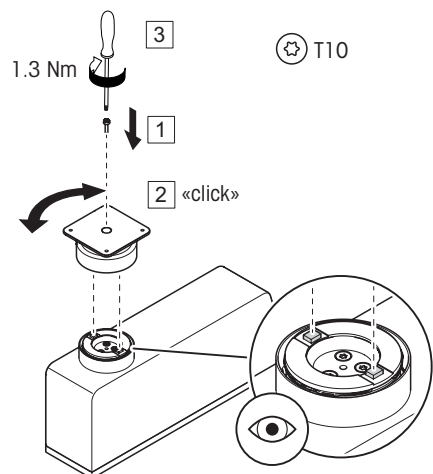
4 x M5 x (6 mm + mounting surface)  
1.8 Nm

## 4 Weighing interface

- A** Accessory 30840642  
Weighing pan, snap-in

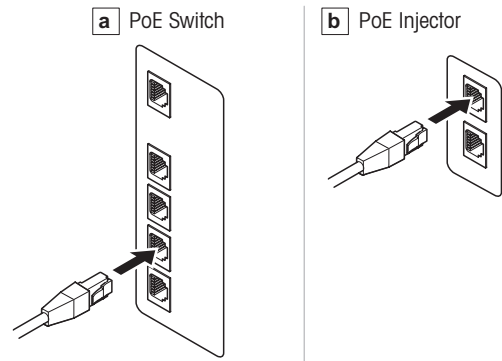
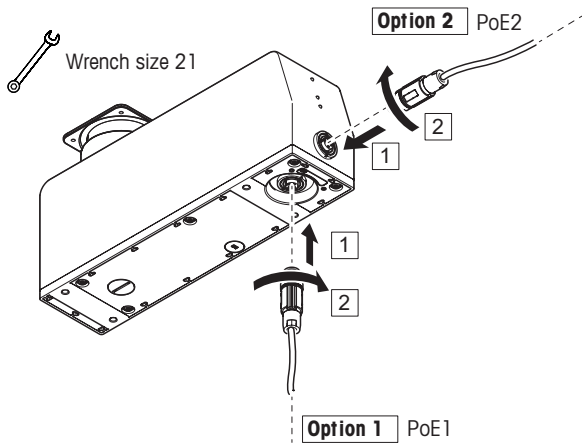


- B** Accessory 30840643  
Adapter weighing pan, snap-in, screw, threaded holes



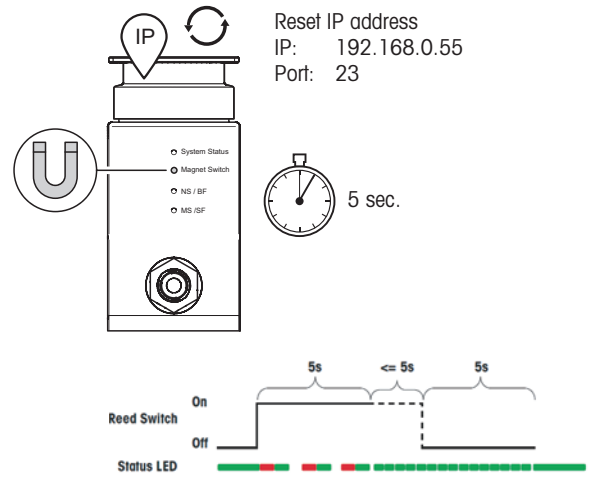
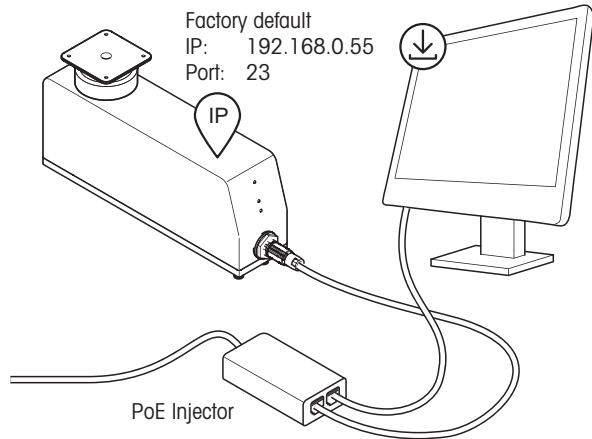
## 5 Connection

PoE according to IEEE 802.3af

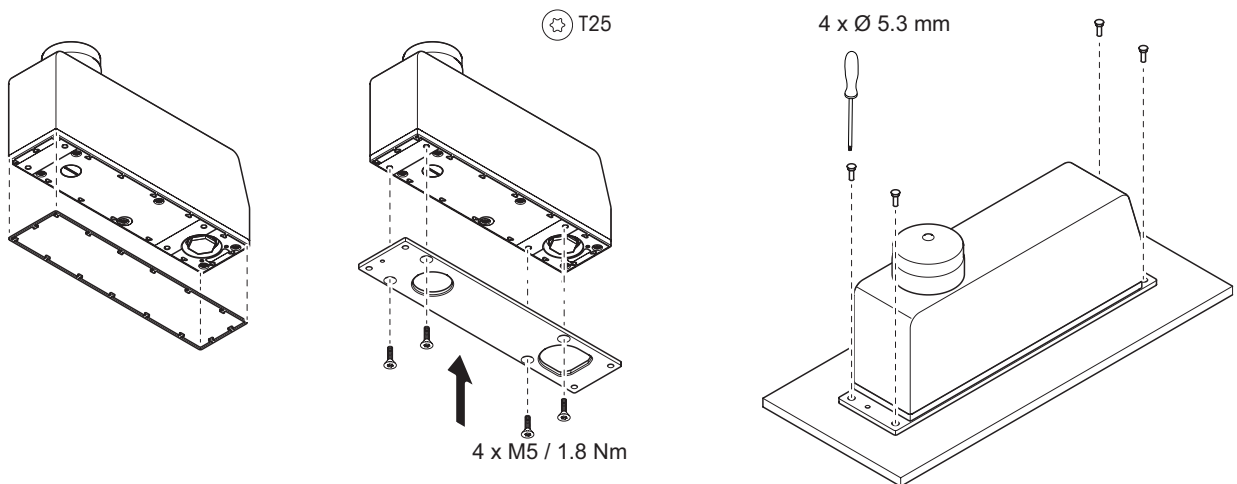


## 6 Configuration

<http://www.mt.com/apw-link>

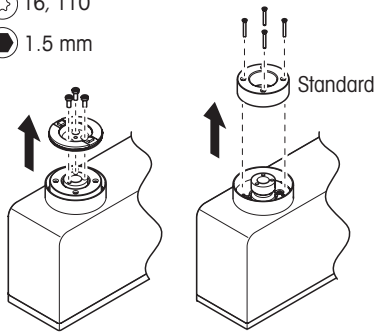


## 7 Accessory: Long base plate (30840644)

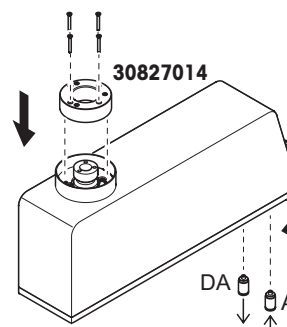


**8** Accessory: Washdown module (30827014)

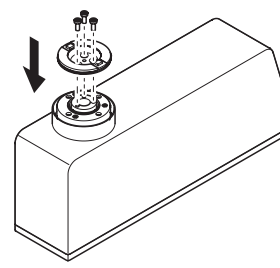
- T6, T10
- 1.5 mm



4 x M2 / 0.4 Nm



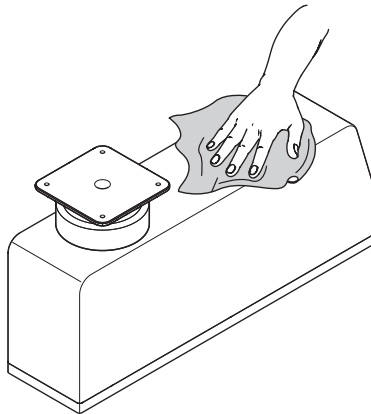
3 x M3 / 1.3 Nm



**9**

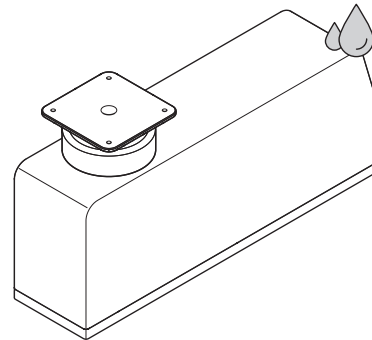
**Cleaning**

IP54



IP66

Only with activated washdown accessory (30827014)



[www.mt.com/SPE](http://www.mt.com/SPE)

For more information

**Mettler-Toledo GmbH**  
Im Langacher 44  
8606 Greifensee, Switzerland  
[www.mt.com](http://www.mt.com)

Subject to technical changes  
© Mettler-Toledo GmbH 11/2023  
30850591B en



30850591