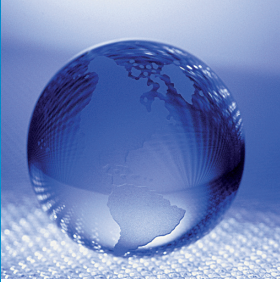
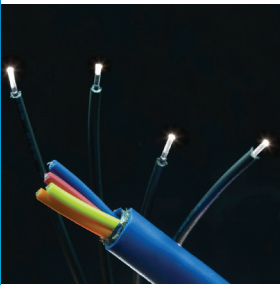


Maximize the potential of the IND500x/560x with the ACM500



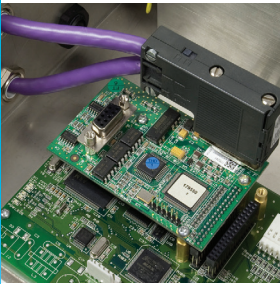
Globally recognized approvals

certify the ACM500 as a non-hazardous area accessory for the IND500x/IND560x, making it available for use worldwide.



Safe connection

over fiber optic or intrinsically safe current loop to the IND500x/IND560x in the hazardous area, allows for fast, bi-directional communication without the need for additional signal barriers.



Flexible connectivity

including Ethernet and additional serial interfaces. Numerous PLC interfaces are available, allowing integration of hazardous area applications into larger facility management systems.



Industrial housing

is constructed of stainless steel and certified IP66. The housing will withstand harsh environments, and includes integrated mounting brackets to simplify installation.



ACM500 Communication Module

The ACM500 accessory communication module exists to expand the capabilities and connectivity of the IND500x/IND560x industrial terminal.

The ACM500 is designed for installation only within the non-hazardous area. The module provides a safe communication link between the IND500x/IND560x terminal in the hazardous area and non-hazardous area peripheral devices such as PLCs, PCs, printers or another METTLER TOLEDO terminal. It can be equipped with one of a variety of PLC interfaces, and also provides expanded serial communication and Ethernet connectivity.

ACM500 communication module

ACM500 Features and Benefits

- Choose to communicate via an intrinsically safe current loop connection **or** fiber optics. Both interfaces offer two dual-channel communication ports
- Scalable to application need – Ethernet TCP/IP option includes two additional serial ports. Multiple PLC connectivity options available
- PLC interfaces offer direct communication to a variety of control systems, providing a high level of real-time information and control options
- Interfaces installed in the ACM500 are configured from within the user-friendly setup menu of the IND500x/IND560x

Potential ACM500 Configurations

	Interface slot [choose 1]	Expansion slot 1	Expansion slot 2 [choose 1]
Intrinsically safe current loop	X		
Fiber optic	X		
Ethernet TCP/IP, COM2 (RS232) or COM3 (RS232/RS422/485)		X	
PROFIBUS® DP			X
PROFINET (IND500x only)			X
Analog output			X
EtherNet/IP™			X
Modbus TCP			X

Port Assignments

Available Assignment	COM2 (RS232)	COM3 (RS232/422/485)	Ethernet	Ethernet TCP/IP	
	COM4	COM5		Eprint	Print Client
Action Log Output (Fill PAC)	X	X		X	X
ASCII Input	X	X			
Continuous Output	X	X		X	X
Continuous Extended	X	X		X	X
Continuous Template	X	X		X	X
Demand Output	X	X		X	X
CTPZ Input	X	X		X	X
SICS	X	X		X ¹	
Shared Data Server		X ²	X		
Remote Discrete I/O		X			
Reports	X	X	X	X	X
Total Reports	X	X	X	X	X

1 Supported in IND560x from firmware version 5.09

2 IND500x only

Hazardous Area

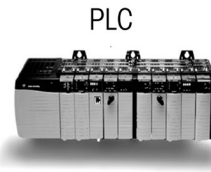
IND500x or IND560x



Fiber optic or
Current Loop

Non-Hazardous Area

ACM500



ARM100
Remote I/O



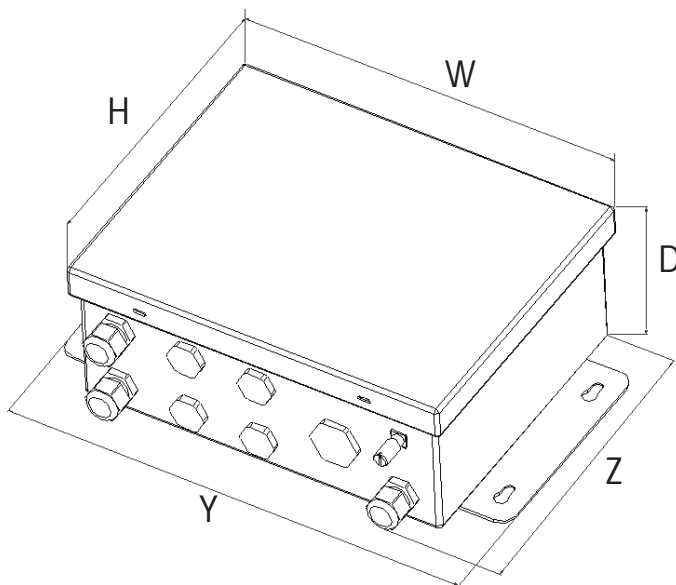
Serial



Ethernet



Enclosure Dimensions (H x W x D)	210 x 265 x 106 mm (8.3 x 10.4 x 4.2 in.)		
Overall footprint (Y x Z)	Includes integrated mounting brackets: 320 x 217 mm (12.6 x 8.5 in.)		
Shipping weight	5.5 kg (11.2 lb) approximate gross		
Enclosure construction/ environmental protection	Stainless steel enclosure, certified IP66		
Operating environment	10° to 40° C (14° to 104° F) at 10% to 95% relative humidity, noncondensing		
Power	Operates at 100-240 VAC, 50/60 Hz, 250 mA Integrated universal power supply; includes cord for country of use		
Connection to terminal	Maximum distance from the IND500x/IND560x terminal: 300m (1000 ft) Maximum 115k baud communication rate between ACM500 and IND500x/IND560x		
Discrete I/O options	IND560x and IND500x can communicate with up to three ARM100 remote I/O modules (maximum 12 inputs and 18 outputs) through optional COM3 serial port		
Ex approvals	US & Canada: FM18US0241, FM18CA0113, AIS / I, II, III / 1 / ABCDEFG; Entity; IP66 Control drawing 30758314 [AIS = Associated apparatus with intrinsically safe connection]	IECEX: IECEX BVS 15.0069 With current loop interface [Ex ib Gb] IIC [Ex ib Db] IIIC With fiber optic interface [Ex op is Gb] IIC [Ex op is Db] IIIC	Europe: BVS 08 ATEX E 100 With current loop interface II (2) G [Ex ib Gb] IIC II (2) D [Ex ib Db] IIIC With fiber optic interface II (2)G [Ex op is Gb] IIC II (2)D [Ex op is Db] IIIC



Mettler-Toledo, LLC
1900 Polaris Parkway
Columbus, OH 43240

Subject to technical changes
© 02/2023 Mettler-Toledo, LLC
MTWT 30226858 EN 06 LTR

www.mt.com/IND500x **for more information**